



# neelnox

LET  
THERE  
BE **DESIGN.**

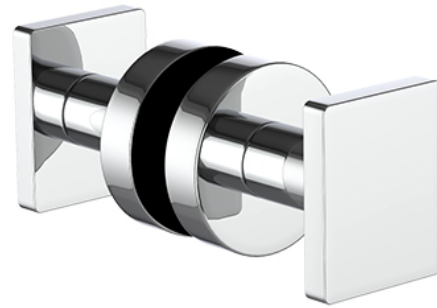
## FEATURES

- Premium 304 Grade Stainless Steel
- Solid Mount Construction
- Concealed Installation Hardware
- Solid End Cap provided for side opposite to the door for a seamless look

Double Knob shown  
with a Medium Rosette



No Rosette    Medium Rosette    Large Rosette  
(Dia 1 1/4")    (Dia 1 1/2")



## COLLECTION FOREST

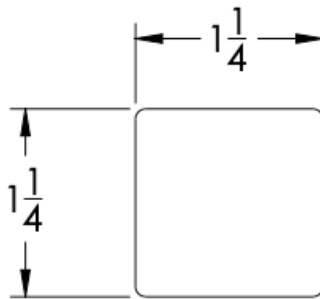
### DOUBLE KNOB

| Model                | Product     | Finishes Available  |
|----------------------|-------------|---|
| FRS-KND <u>XX-XX</u> | Double Knob | Multiple finishes available. Over 23 finishes to choose from. |

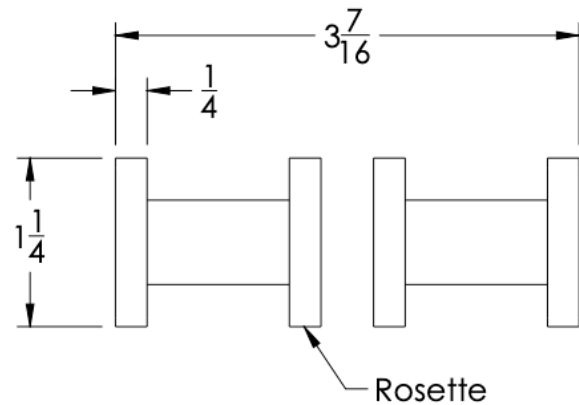
| FINISHES                 |                                |                           |  |
|--------------------------|--------------------------------|---------------------------|--|
| Polished (-P)            | Antique Copper (-ACOP)         | Polished Gold (-PGLD)     |  |
| Brushed (-B)             | Polished Brass (-PBR)          | Brushed Copper (-BCOP)    |  |
| Brushed Gold (-BGLD)     | Matte White (-WHT)             | Brushed Rose Gold (-BRGD) |  |
| Matte Black (-BLK)       | Brushed Modern Bronze (-BMBRZ) | Brushed Black (-BRBLK)    |  |
| Oil Rubbed Bronze (-ORB) | Glossy White (-GWHT)           | Polished Black (-PBLK)    |  |
| Brushed Brass (-BBRS)    | Polished Rose Gold (-PRGD)     | Antique Nickel (-ANKL)    |  |
| Brushed Bronze (-BBRZ)   | Unlacquered Brass (-UBRS)      | Black Nickel (-NKBL)      |  |
| Antique Brass (-ABRS)    | Polished Nickel (-PNKL)        |                           |  |

| No Rosette | Medium Rosette<br>(Dia 1 1/4") | Large Rosette<br>(Dia 1 1/2") |
|------------|--------------------------------|-------------------------------|
| FRS-KND-NR | FRS-KND-MR                     | FRS-KND-LR                    |

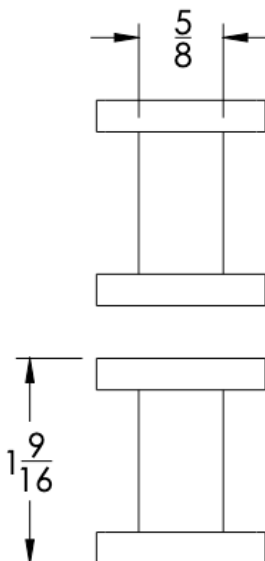
FRONT



SIDE



TOP



No Rosette    Medium Rosette (Dia 1 1/4")    Large Rosette (Dia 1 1/2")

**Installation Notes:** Center to center hole drilling dimension are same as mentioned in column. Diameter of glass hole for installation is 1/2".

Standard hardware supplied can accommodate glass thicknesses 1/4" to 1/2". Please contact us for custom hardware in case glass thickness exceeds 1/2".

Dimensions in inches

NOTE: Dimensions subject to change without notice.